

Before you begin

Use this Guide **ONLY** if your current light is a low voltage (12v) type. Refer to other Guide if your light is 120v.

Pre-Installation Checklist

- Existing pool or spa light operates on 12 volts
- You have a pool transformer capable of supplying 70 watts at 12-14 volts
- Light fixture housing (Niche) has been installed per the National Electrical Code (NEC)
- Your niche is compatible with the new light (refer to compatibility table in manual)
- If replacing a SwimQuip® light, the tab on the Universal ColorLogic™/CrystaLogic™ light may need to be removed (refer to manual)
- You have wire cutters or shears for cutting the existing light cord
- You have duct tape for taping the new cord to the old cord when pulling through conduit
- You have a Phillips head screwdriver
- You are qualified to work on electrical wiring and understand electric code requirements and wiring methods

Installation Preparation

- Read the entire Universal ColorLogic/CrystaLogic manual
- Read this entire Guide
- Remove power to the existing pool or spa light at the service panel!**

STEP 1: Find Junction Box or Connection Point for existing light

If no junction box: If there is no junction box in place, the connection to the existing light is likely made directly to the transformer. Locate where this connection is made. The Universal ColorLogic/CrystaLogic will be wired in the same manner.

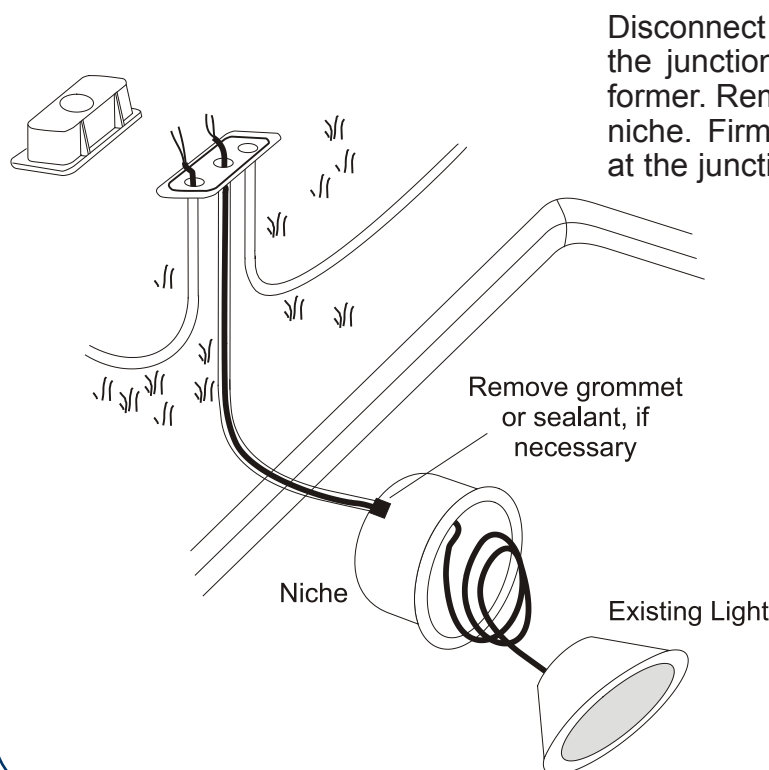
If there is a junction box: Remove the cover of the junction box and determine how the existing light is wired to the low voltage power supply. The Universal ColorLogic/CrystaLogic will wire in the same manner.

Locate existing light's transformer and configure it to output 14 volts, if possible. Refer to your transformer's manual for this information. The Universal ColorLogic/CrystaLogic light can operate on 12 or 13 volts depending on the length of the wire run from the transformer to the light.

Refer to table for this information.

Product	Total Cord Length from Transformer to Light	Minimum Required Voltage at Transformer
12v Universal ColorLogic Pool Light	30 ft	12 - 14 volts
	50 ft	13 - 14 volts
	100 ft	14 volts
12v Universal ColorLogic Spa Light	30 ft	12 - 14 volts
	50 ft	13 - 14 volts
	100 ft	14 volts

STEP 2: Disconnect and Remove Light



Disconnect the existing light at the junction box or at the transformer. Remove the light from the niche. Firmly pull on the light cord at the junction box and verify that the cord moves freely. There may be a grommet or sealant at the light cord's point of entry into the niche. Removing this should allow the cord to pull freely through the conduit. Leave cord in place until Step 6.

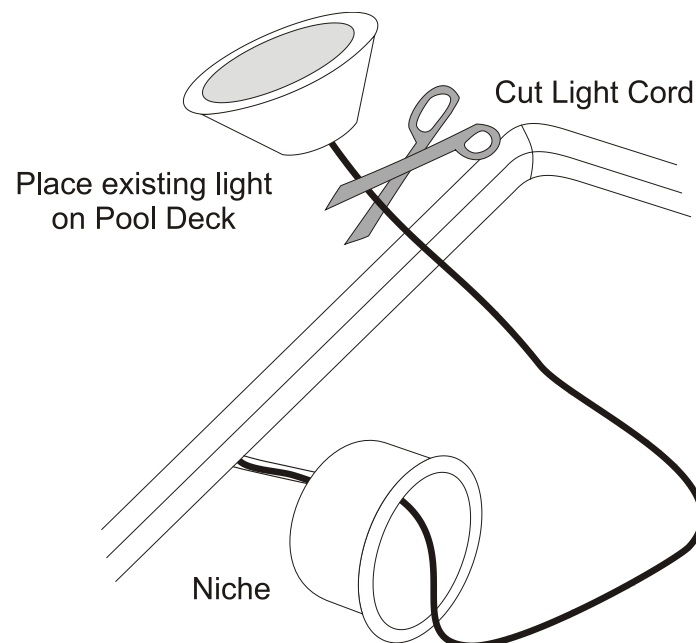
Remove grommet or sealant, if necessary

Niche

Existing Light

STEP 3: Cut Light Cord

Place the light on the pool deck and cut the light cord as shown below.



Place existing light on Pool Deck

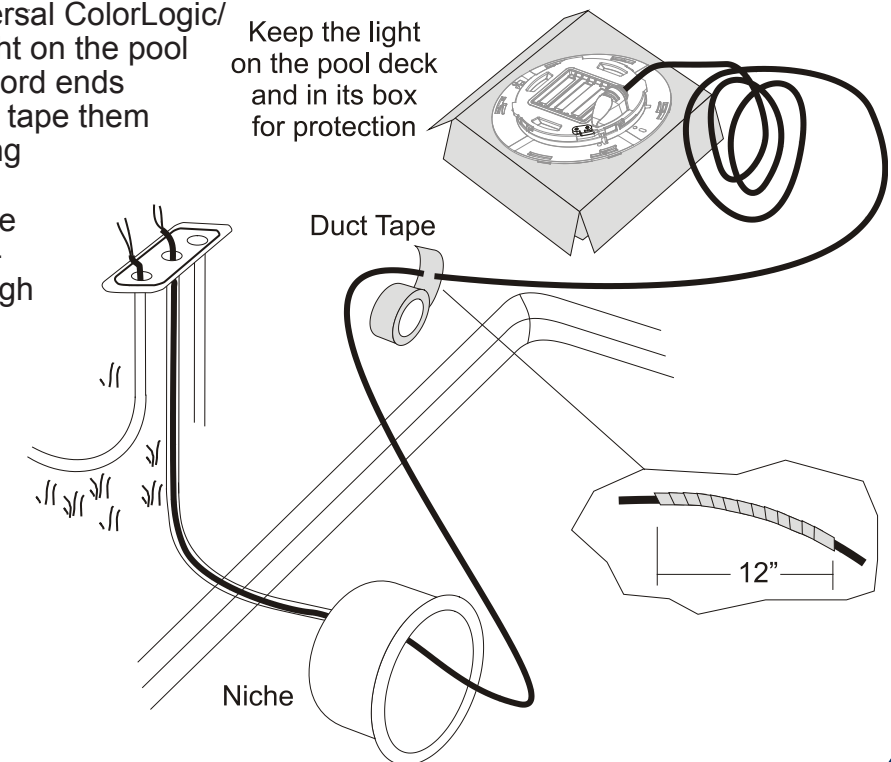
Cut Light Cord

Niche

STEP 4: Tape Cord ends

Keep the Universal ColorLogic/CrystaLogic light on the pool deck. Dry the cord ends thoroughly and tape them as shown. Using too much tape may prevent the cord from moving freely through conduit.

Keep the light on the pool deck and in its box for protection



Duct Tape

Niche

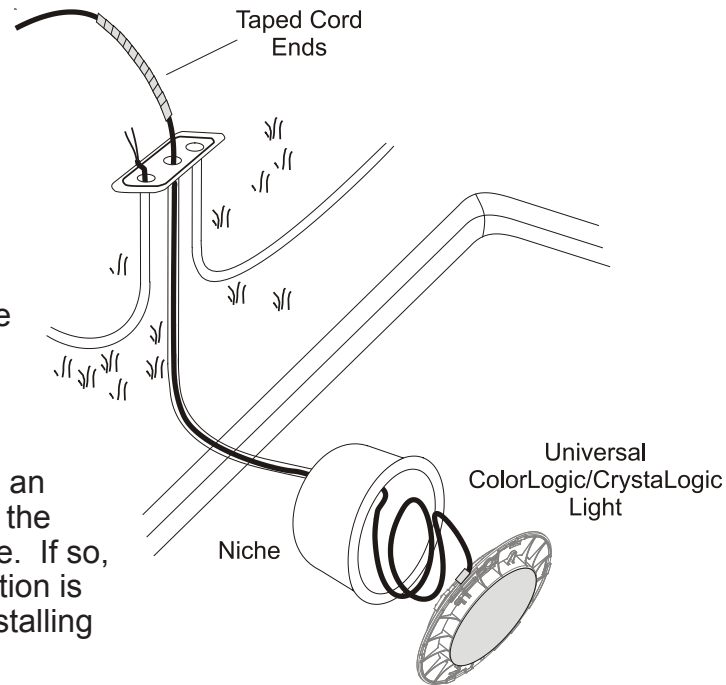
12"

Turn Over 

STEP 5: Snake Cord through Conduit

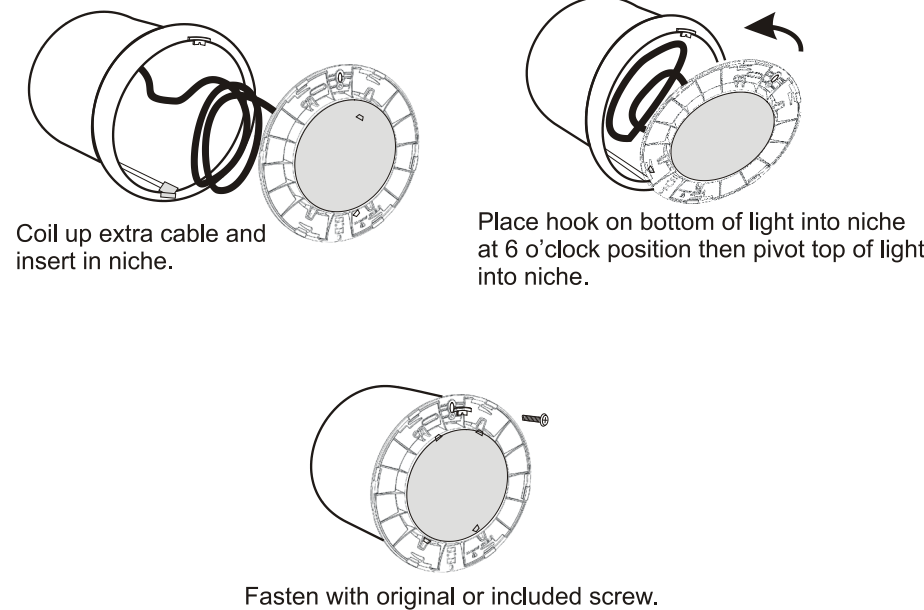
Pull at the junction box or transformer end to snake the Universal ColorLogic/CrystaLogic cord through the conduit. Leave slack at the light end for coiling cord in the niche. The coil length should be adequate for placing the light on the deck if pool servicing ever requires light removal.

Some niches may have an 8AWG connection from the junction box to the niche. If so, ensure that this connection is not interrupted when installing the new light.



STEP 6a: Install Light to most Niches

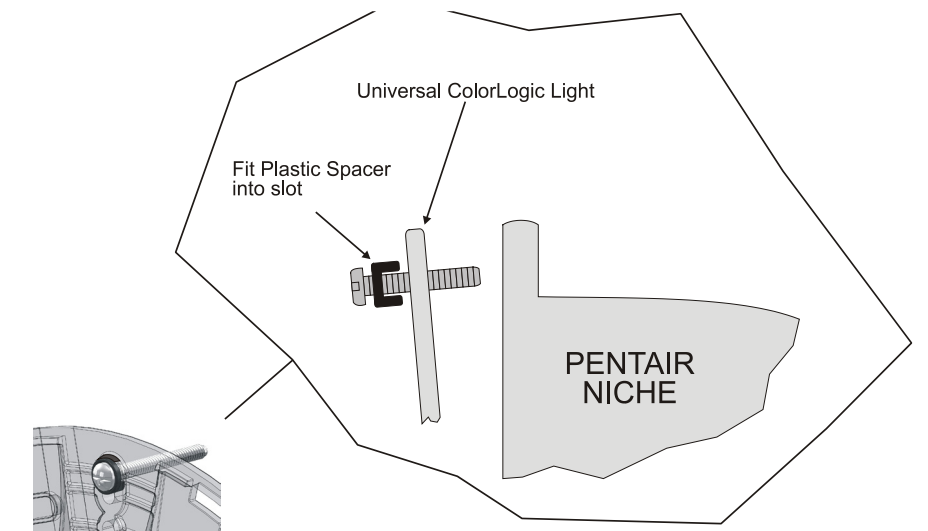
To fasten the Universal ColorLogic/CrystaLogic light to most niches refer to the diagram below.



STEP 6b: Install Light to Pentair Niche

For Pentair® niches, use the included spacer according to the diagram below. Failure to install the plastic spacer properly may result in the light being inadequately fastened. Plastic gunite type niches will not require the spacer.

Refer to the manual for instructions when using a Swimquip niche.

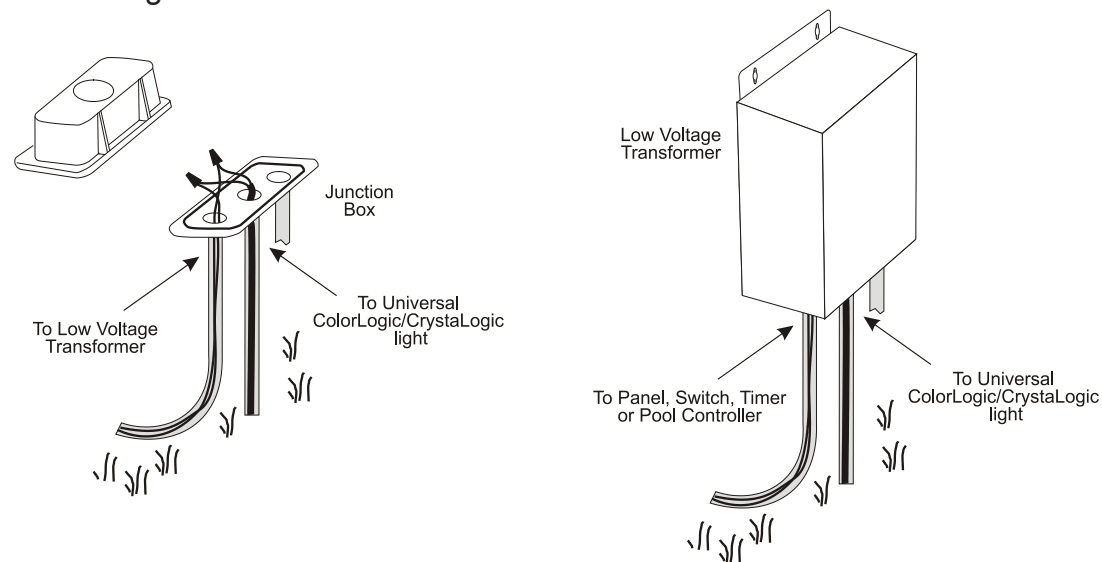


STEP 7: Wire to Power Supply

Cut excess cord and make the wiring connection at the junction box or transformer in the same manner as the old light.

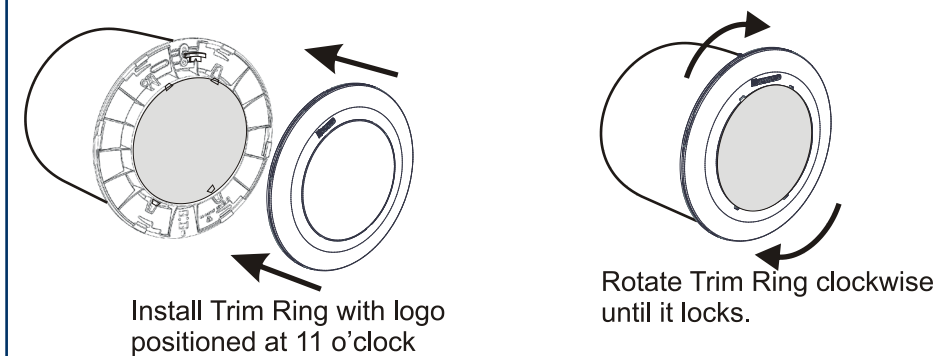
If the new Universal ColorLogic light will be controlled by network communications using a Hayward Pro Logic controller, an LKBUN1000 coupler must also be installed. Refer to the LKBUN1000 instructions for installation and wiring information.

After wiring the Universal ColorLogic/CrystaLogic light, install the cover and gasket making sure that there is a watertight seal.



STEP 8: Install Trim Ring

Install the Trim Ring as shown.



READ SAFETY INSTRUCTIONS AND COMPLETE SAFETY CHECKLIST INSIDE FRONT COVER OF MANUAL

Hayward (R) is a registered trademark. ColorLogic (TM) and CrystaLogic (TM) is a trademark of Hayward Pool Products, Inc. © 2012 Hayward Pool Products, Inc.

All other trademarks not owned by Hayward are the property of their respective owners. Hayward is not in any way affiliated with or endorsed by those third parties.